



SHEAR VALVE

Mod. 31SS



APPLICATION

It's a Safety Accessories in according with Directive 2014/34/EU and harmonized standard EN ISO 13617-2. Installed below the dispenser on the delivery line, in case of fire or external accident, prevent fuel loss. 31 shear valves shut off the flow of AdBlue® in the event of a vehicle collision with a dispenser preventing an excessive and uncontrolled release into the environment. The optional e-coated mounting bracket allows installation both in containment sumps beneath the dispenser as well as direct mounting to the concrete forecourt. Shear valve is available in 1" X 1 1/2" BSP threaded version

CE Ex II 3 G

ATTENTION

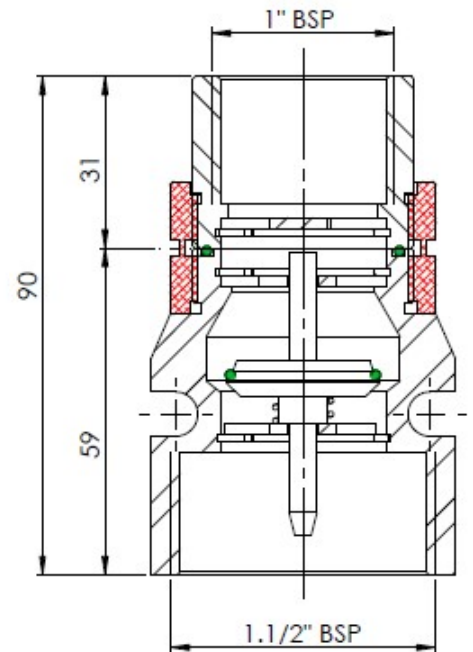
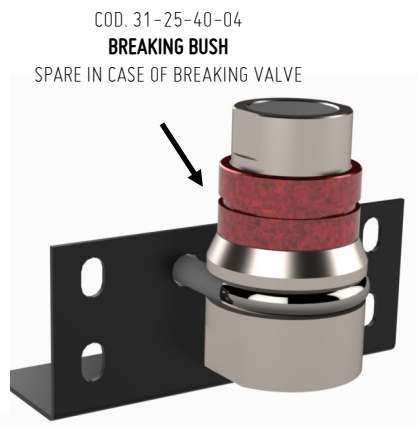
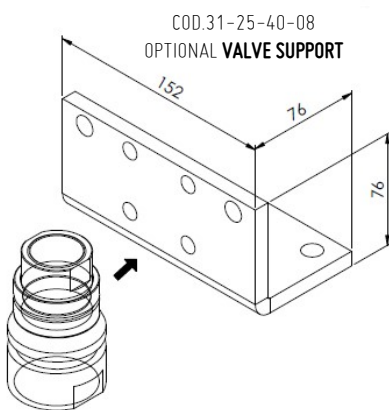
- Break force as rule required between 330 N m and 880 N m
- Break force within parameters established by UL842
- Must be installed with rigid pipe

CHEMICAL SUITABLE

31 model is for special fuel as AdBlue® and for all solvents or chemical product compatible.

PARTS	MATERIAL
BODY LOWER AND UPPER	STAINLESS STEEL
BUSH	ALUMINIUM
SHUTTER	STAINLESS STEEL
GUIDE	STAINLESS STEEL
SPRING	STAINLESS STEEL
SEEGER	STAINLESS STEEL
O-RING	VITON®

PRODUCT	31
COD.	31-25-40 SS
DESCRIPTION	FEMALE
PIPELINE THREAD	1" BSP X 1" 1/2 BSP
HEIGHT mm	90



INSTALLATION

- Easy installation, for correct installation follow the Directives and product User Manual.
- For custom application or maintenance write to quality@ridart.it.
- Declaration of Conformity and User Manuals are available on www.ridart.it/support.

MAINTENANCE

- Always replace the product after fire, deflagration, brake or damage.
- In case of breaking valve only the bush can be replace. Only specialized and trained technician can replace the bush.
- In case of tampering warranty expires and safety protection is not guaranteed.

RIDART s.r.l. via Adua 17 21045 Gazzada Schianno (VA) ITALY www.ridart.it +39 0332 463301 info@ridart.it P.IVA IT 01454770122
 Product Certification, Declaration of Conformity, User Manual and Testing on www.ridart.it/support
 The Data and Images contained not binding. We reserve the right to changes without notice. Pressure & Flow Tolerances ±20%.