



Safety Quick Dry Coupling

Mod. 1600, 1601, 1602, 1605 & 1610

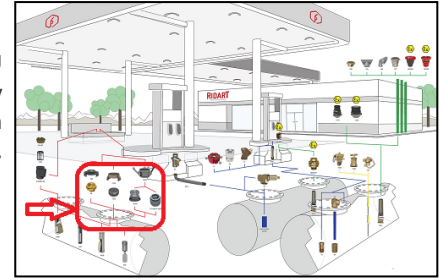


CE 477 Ex II 3 G

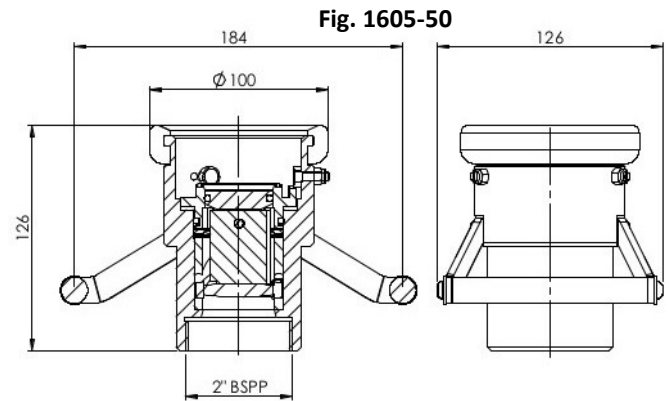
APPLICATION

It's a Safety component in according with Directives ATEX 2014/34/EU and PED 2014/68/UE. The dry quick coupling is used to prevent any possible leaking during the process of transferring hazardous fluids in different fields of application (petrochemical, food, pharmaceutical, beverage & more).

- Valve opens and closes automatically.
- No residual loss on disconnection.
- Connected & disconnected in pressure.



PRODUCT	1605-50	1600-50	1601-80	1602-80	1610-50	1610-80
DESCRIPTION	FEMALE	MALE	MALE	MALE	CAP	CAP
TOP ATTACK	2" F NATO STANAG 3756 Ø 70 mm	2" M NATO STANAG 3756 Ø 70 mm	3" M NATO STANAG 3756 Ø 105 mm	3" M NATO STANAG 3756 Ø 119 mm	Ø 70 mm	Ø 119 mm
PIPELINE THREAD	2" F BSPP	2" F BSPP	3" F BSPP	3" F BSPP	-	-
HEIGHT mm	126	92	134	134	16.5	18
FLOW l/min (0.3 bar)	300	450	950	950	-	-
FLOW l/min (4 bar)	550	650	1200	1350	-	-
FLOW l/min (8 bar)	700	750	1750	1950	-	-



ATTENTION

The best performances allowed by the new regulation:

- Max operational temperature 60°C.
- Max operational pressure 5 bar.

CHEMICAL SUITABLE

- Standard model for traditional fuel without additives.
- "PTFE" model for special fuel, non-aggressive solvents or chemical product.
- "SS" model for aggressive solvents, acids or bases.

Fig. 1600-50

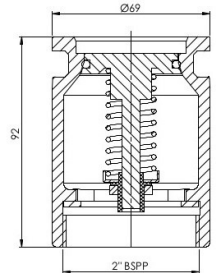


Fig. 1605-50



Fig. 1605+1600



PART	1605 OT	1605 AL	1605 SS
BODY	BRASS	ALUMINIUM	STAINLESS STEEL
SCREWS	STAINLESS STEEL		
POPPET	BRASS	BRASS	STAINLESS STEEL
SEALS	VITON®	VITON®	TEFLON®
SUPPORT	ALUMINIUM		STAINLESS STEEL
SPRING	SPRING STEEL		

Fig. 1605+1600
"connected"



INSTALLATION

- Protection System is unidirectional, for vertical or orizzontal installation.
- For correct installation follow the Directives and product User Manual.
- For custom application or maintenance write to quality@ridart.it.
- Declaration of Conformity and User Manuals are available on www.ridart.it/support.

MAINTENANCE

- Periodically check the device is necessary to remove possible dirty, nests or insects.
- Always replace the product after fire or deflagration.
- In case of tapering warranty expires and safety protection not guaranteed.



Fig. 1605-50