



In-line deflagration flame arrester



Mod. 180 EN-P



CE 477 Ex G IIB3

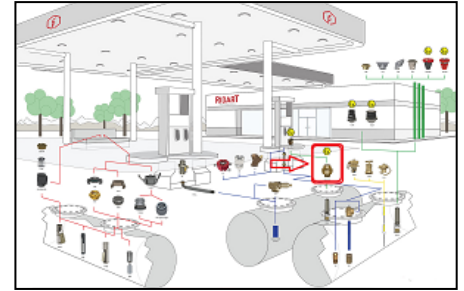
APPLICATION

It's a Protection System with ribbon coil: deflagration in-line flame arrester in according with Directive 2014/34/EU and harmonized standard EN ISO 16852:2016.

- Used for hydrocarbons or chemical pipeline.
- Stage I vapor recovery compliant.
- The Flame Arrester avoids propagation of fire into the piping.
- Surface Protection System is for all ATEX zone (0, 1 and 2).

The best performances allowed by the new regulation

- Max distance from the potential ignition is 50 pipe's diameter.
- Max operational pressure (relative) is 0,1 bar.



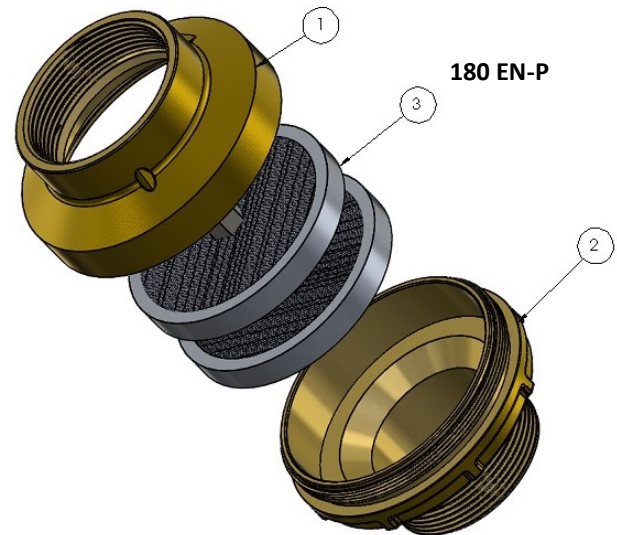
GAS & VAPOR COMPATIBILITY

Inflammable gases and vapours classification is necessary to correct use of flame arrester. UE-Type Examination Certificate EPT 18 ATEX 3053 X is for Explosion Group "IIB3" tested with Ethylene and compatible for all gas with MESG > 0.65 mm for example: Ammonia, Industrial methane, Blas-furnace gas, Carbon monoxide, Propane, Butane, Pentane, Esane, Eptane, Iso-octane, Decane, Benzene, Xilene, Cyclohexane, Acetone, Ethyl-methyl-ketone, Methyl acetate, Ethyl acetate, Normal propyl acetate, Normal butyl acetate, Amyl acetate, Cloroethylene, Methanol, Ethanol, Iso Butanol, Normal Butanol, Amyl alcohol and Ethyl nitrite. Use only for gas or vapor with MESG > 0.65 mm. Burning rating BC=b, t_BT=1 min. Max operational temperature 60°C.

CHEMICAL SUITABLE

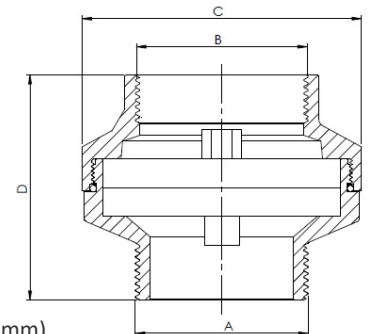
- Standard model for traditional fuel without additives.
- "PTFE" model for special fuel, non-aggressive solvents or chemical product.
- "SS" model for aggressive solvents, acids or bases.

#	PART	180 EN-P	180 EN-P PTFE	180 EN-P SS
1	FEMALE BODY	BRASS	BRASS + PTFE COATING	STAINLESS STEEL
3	RIBBON COIL & SUPPORT	STAINLESS STEEL		
2	MALE BODY	BRASS	BRASS + PTFE COATING	STAINLESS STEEL



180 EN-P

PRODUCT	086920 EN P	086900 EN P	086910 EN P	086880 EN P
PROTECTED SIDE	BIDIRECTIONAL	FEMALE THREAD		
THREAD A	1" F BSPP	1"1/2 M BSPP	2" M BSPP	4" M BSPP
THREAD B	1" F BSPP	1"1/2 F BSPP	2" F BSPP	4" F BSPP
DIAMETER C	65	84	95	185
HEIGHT D	68	90	78	90
FLOW l/min (230 mbar)	140	200	480	1100
FLOW l/min (8 bar)	600	1800	2400	2880



180 EN-P PTFE



INSTALLATION

- In-line flame arrester is for vertical or horizontal installation.
- Protection System is unidirectional, the safety side is the MALE thread.
- For correct installation follow the Directives and product User Manual.
- Explosion Group is "IIB3" in according with EN ISO 16852 (MESG > 0.65 mm).
- Contact our technical department for custom application or maintenance by email to quality@ridart.it.
- Product Certification, Declaration of Conformity and User Manuals are available on www.ridart.it/support.

MAINTENANCE

- Periodically check the device is necessary to remove possible dirty, nests or insects.
- Always replace the product after fire or deflagration.
- In case of tapering warranty expires and safety protection not guaranteed.