

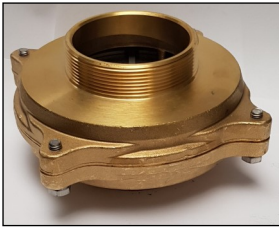


In-line deflagration flame arrester



Mod. 181 EN-P

APPLICATION



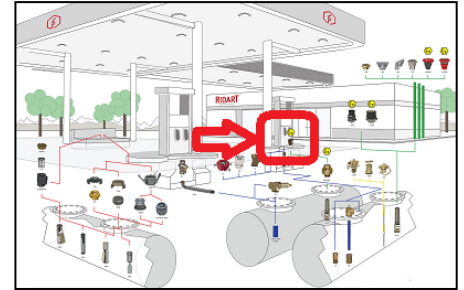
CE 477 Ex G IIB3

It's a Protection System with ribbon coil: deflagration in-line flame arrester in according with Directive 2014/34/EU and harmonized standard EN ISO 16852:2016.

- Used for hydrocarbons or chemical pipeline.
- Stage I vapor recovery compliant.
- The Flame Arrester avoids propagation of fire into the piping.
- Surface Protection System is for all ATEX zone (0, 1 and 2).

The best performances allowed by the new regulation

- Max distance from the potential ignition is 50 pipe's diameter.
- Max operational pressure (relative) is 0,1 bar.



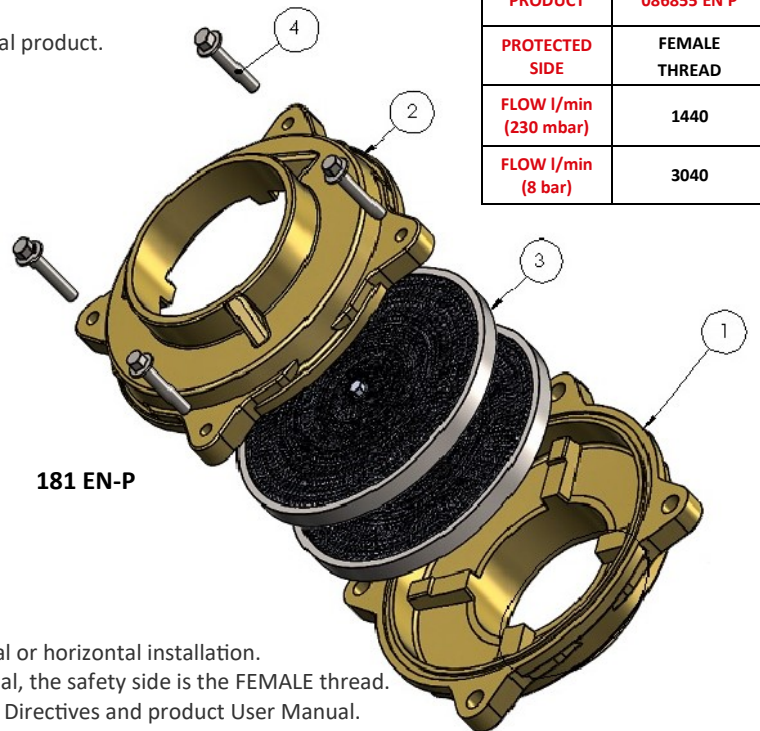
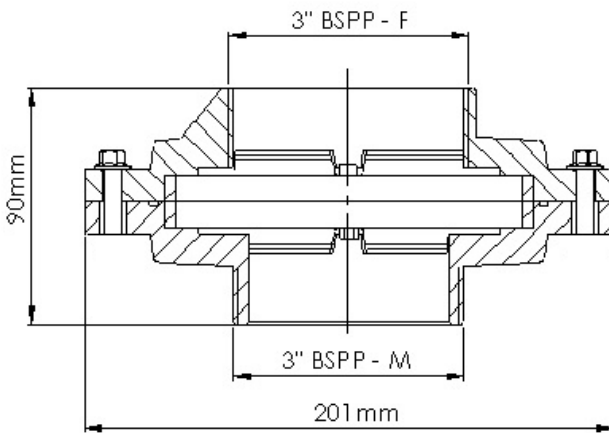
GAS & VAPOR COMPATIBILITY

Inflammable gases and vapours classification is necessary to correct use of flame arrester. UE-Type Examination Certificate EPT 18 ATEX 3053 X is for Explosion Group "IIB3" tested with Ethylene and compatible for all gas with MESG > 0.65 mm for example: Ammonia, Industrial methane, Blas-furnace gas, Carbon monoxide, Propane, Butane, Pentane, Esane, Eptane, Iso-octane, Decane, Benzene, Xilene, Cyclohexane, Acetone, Ethyl-methyl-ketone, Methyl acetate, Ethyl acetate, Normal propyl acetate, Normal butyl acetate, Amyl acetate, Chloroethylene, Methanol, Ethanol, Iso Butanol, Normal Butanol, Amyl alcohol and Ethyl nitrite. Use only for gas or vapor with MESG > 0.65 mm. Burning rating BC=b, $t_{bT}=1$ min. Max operational temperature 60°C.

#	PART	181 EN-P	181 EN-P PTFE	181 EN-P SS
1	MALE BODY	BRASS	BRASS + PTFE COATING	STAINLESS STEEL
3	RIBBON COIL & SUPPORT	STAINLESS STEEL		
4	SCREWS	STAINLESS STEEL		
2	FEMALE BODY	BRASS	BRASS + PTFE COATING	STAINLESS STEEL

CHEMICAL SUITABLE

- Standard model for traditional fuel without additives.
- "PTFE" model for special fuel, non-aggressive solvents or chemical product.
- "SS" model for aggressive solvents, acids or bases.



PRODUCT	086855 EN P
PROTECTED SIDE	FEMALE THREAD
FLOW l/min (230 mbar)	1440
FLOW l/min (8 bar)	3040

181 EN-P



INSTALLATION

- In-line flame arrester is for vertical or horizontal installation.
- Protection System is unidirectional, the safety side is the FEMALE thread.
- For correct installation follow the Directives and product User Manual.
- Explosion Group is "IIB3" in according with EN ISO 16852 (MESG > 0.65 mm).
- Contact our technical department for custom application or maintenance by email to quality@ridart.it.
- Product Certification, Declaration of Conformity and User Manuals are available on www.ridart.it/support.

MAINTENANCE

- Periodically check the device is necessary to remove possible dirty, nests or insects.
- Always replace the product after fire or deflagration.
- In case of tapering warranty expires and safety protection not guaranteed.