



# Emergency Vent



Mod. 193

## APPLICATION

Male threaded emergency vent is normally used to protect the aboveground storage tank from overpressure. It even helps to reduce the evaporation of fuel and environmental pollution.

## CHEMICAL SUITABLE

- Standard model is for traditional fuel without additives.

### ON REQUEST:

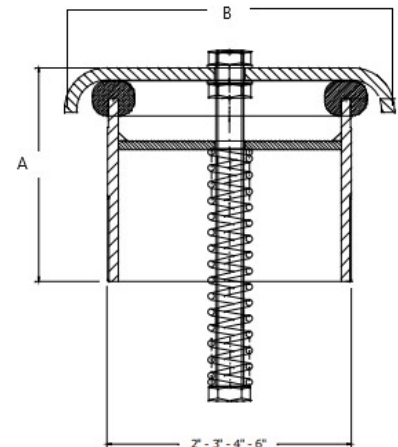
- "PTFE" coated model is for special fuel, non-aggressive solvents or compatible chemicals.
- Stainless Steel is a model for special fuel, aggressive solvents or compatible chemical products.

## CHARACTERISTICS

CODE	193-50	193-80	193-100	193-150
HOUSING	Steel	Steel	Steel	Steel
CAP MATERIAL	Aluminium	Aluminium	Aluminium	Aluminium
SPRING	Stainless Steel	Stainless Steel	Stainless Steel	Stainless Steel
THREAD	2" M BSPP	3" M BSPP	4" M BSPP	6" M BSPP
HEIGHT A	57	74	100	130
HEIGHT B	60	118	175	214
Pressure Relief	50 mbar	50 mbar	50 mbar	50mbar



CE Ex II 2 G



Mod. 193-150



## INSTALLATION

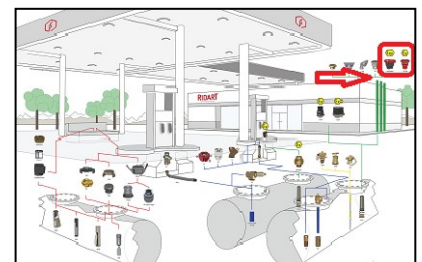
- This device is unidirectional and only for vertical installation.
- For correct installation follow the Directives and product User Manual.
- Contact our technical department for custom application or maintenance by email to: [quality@ridart.it](mailto:quality@ridart.it).
- Product Certification, Declaration of Conformity and User Manuals are available on: [www.ridart.it/support](http://www.ridart.it/support).

## MAINTENANCE

- Periodically check the device is necessary to remove possible dirty, nests or insects.
- Always replace the product after fire or deflagration.
- In case of tampering warranty expires and safety protection is not guaranteed.

## YOU MAY ALSO BE INTERESTED IN:

CODE	DESCRIPTION	
197 EN P-35	Pressure Vacuum vent with End Of Line Deflagration Flame Arrester Mod. 197 EN P 2"	



RIDART s.r.l. via Adua, 17 - 21045 Gazzada Schianno (VA) ITALY P.IVA/C.F. IT 01454770122

[www.ridart.it](http://www.ridart.it) [info@ridart.it](mailto:info@ridart.it) +39 0332 463301

Product Certification, Declaration of Conformity, User Manual and Testing on: [www.ridart.it/support](http://www.ridart.it/support)

The Data and Images are not binding. We reserve the right to make changes without notice. Pressure & Flow Tolerances  $\pm 20\%$ .