



SHEAR VALVE

Mod. 31SS



APPLICATION



It's a Safety Accessories in according with Directive 2014/34/EU and harmonized standard EN ISO 13617-2. Installed below the dispenser on the delivery line, in case of fire or external accident, prevent fuel loss. 31 shear valves shut off the flow of AdBlue® in the event of a vehicle collision with a dispenser preventing an excessive and uncontrolled release into the environment. The optional e-coated mounting bracket allows installation both in containment sumps beneath the dispenser as well as direct mounting to the concrete forecourt. Shear valve is available in 1" X 1 1/2" BSP threaded version

CE Ex II 3 G

ATTENTION

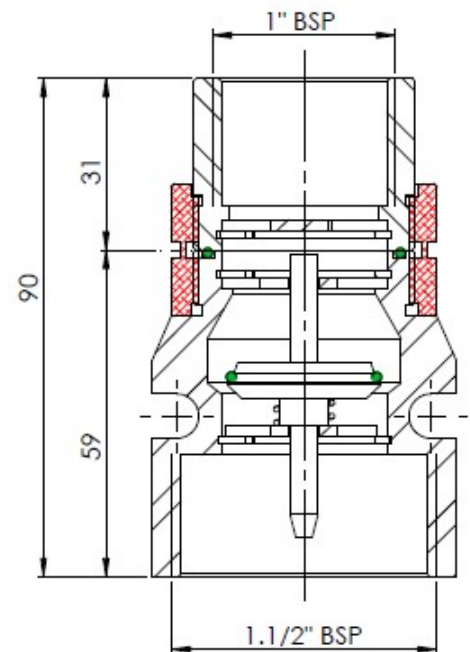
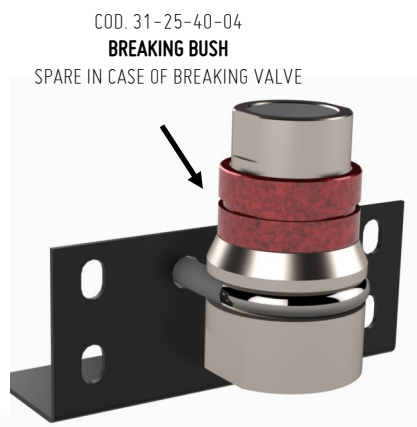
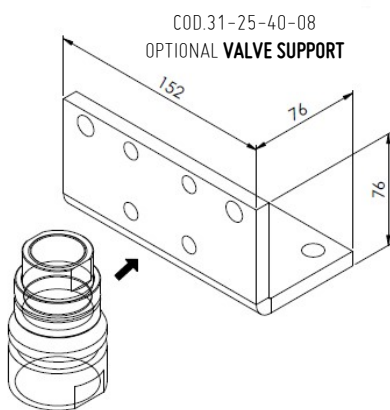
- Break force as rule required between 330 N m and 880 N m
- Break force within parameters established by UL842
- Must be installed with rigid pipe

CHEMICAL SUITABLE

31 model is made for special fuel as AdBlue® and for all solvents or chemical products compatible.

| PARTS | MATERIAL |
|----------------------|-----------------|
| BODY LOWER AND UPPER | STAINLESS STEEL |
| BUSH | ALUMINIUM |
| SHUTTER | STAINLESS STEEL |
| GUIDE | STAINLESS STEEL |
| SPRING | STAINLESS STEEL |
| SEEGER | STAINLESS STEEL |
| O-RING | VITON® |

| | |
|------------------------|----------------------------|
| PRODUCT | 31 |
| COD. | 31-25-40 SS |
| DESCRIPTION | FEMALE |
| PIPELINE THREAD | 1" BSP X 1" 1/2 BSP |
| HEIGHT mm | 90 |



INSTALLATION

- Easy installation, for correct installation follow the Directives and product User Manual.
- For custom application or maintenance write to quality@ridart.it.
- Declaration of Conformity and User Manuals are available on www.ridart.it/support.

MAINTENANCE

- Always replace the product after fire, deflagration, brake or damage.
- In case of breaking valve only the bush can be replace. Only specialized and trained technician can replace the bush.
- In case of tampering warranty expires and safety protection is not guaranteed.

RIDART s.r.l. via Adua, 17 - 21045 Gazzada Schianno (VA) ITALY P.IVA/C.F. IT 01454770122
www.ridart.it info@ridart.it +39 0332 463301

Product Certification, Declaration of Conformity, User Manual and Testing on: www.ridart.it/support
 The Data and Images are not binding. We reserve the right to make changes without notice. Pressure & Flow Tolerances ±20%.