

1521

API RP 1400 Female Adapter

Tank Truck Adaptor

Load/Unload valves



CE Ex II 2G

Ridart's 1521 Series API adaptors are a precisely engineered and built bottom loading and discharge adaptor that conforms to API RP 1004 and provides total interchangeability with all loading valves.

The female coupler Mod.1521 Ridart is used for the bottom loading of hydrocarbons into tank trucks.

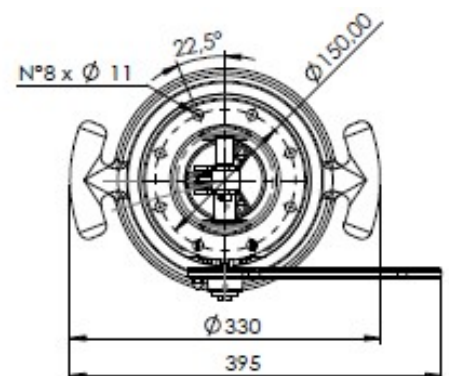
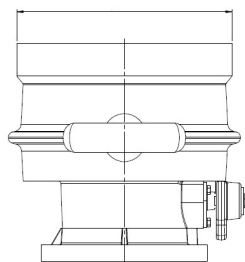
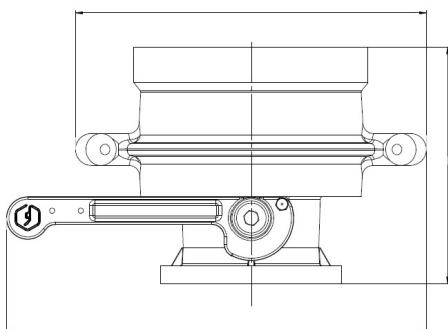
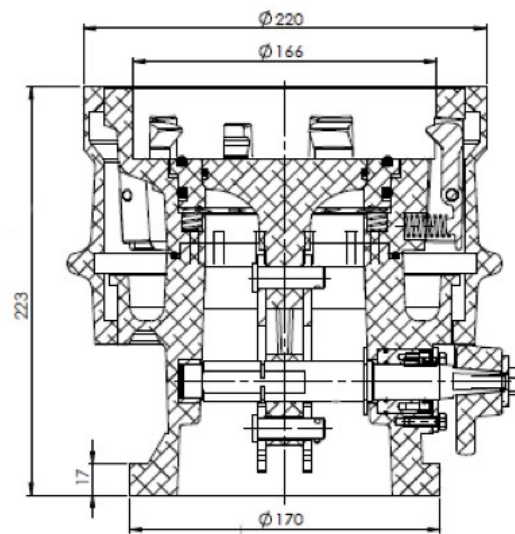
This coupler ensures secure connection with an API adapter, as well as high speed loading.

It is designed and manufactured according to API RP 1004.

The female adapter API RP 1004 is used to prevent any possible leaking during the process of transferring fluids during the loading/discharge of tank trucks.

It's a Safety accessory in according with Directives ATEX 2014/34/EU and PED 2014/68/UE.

Specification



Chemical Suitability

- Standard Model is for traditional fuel without additives or compatible chemical products.

PARTS	1521
CODE	1521-00
BODY	ALUMINIUM
INTERNAL COMPONENT	STEEL/STAINLESS STEEL/AISI 303/BRASS
GASKET	VITON®
DN1	API RP 1004
DN2	FLANGE 4" TTMA
MAX WORKING TEMPERATURE	- 20°C + 60°C
MAX WORKING PRESSURE	5 bar
MAX FLOW RATE	2500 L/MIN
WEIGHT	10 Kg.

Features

- Ergonomically designed handle.
- The coupler meets the API RP 1004 specification and can be used with all adapters compliant with this standard.
- API adaptors are available in various options, see also 1527 and 1526 Series.

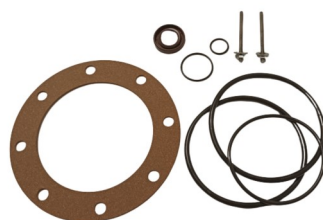
Installation

- For correct installation follow the Directives and product User Manual
- For custom application or maintenance write to: quality@ridart.it
- Declaration of Conformity and User Manual are available on: www.ridart.it/support

Maintenance

- Periodically check the device is necessary to remove possible dirty.
- Always replace the product after fire or deflagration.
- In case of tampering warranty expires and safety protection is not guaranteed.

KIT MANUTENZIONE
CODE: 1521-00-KIT



WATCH VIDEO