



180 EN P

In-Line Deflagration Flame Arrester

Brass



It's a Protection System with ribbon coil deflagration in-line flame arrester according with Directive 2014/34/EU and harmonized standard EN ISO 16852:2016.

- Used for hydrocarbons or chemical pipeline.
- Stage I vapor recovery compliant.
- The Flame Arrester avoids propagation of fire into the piping.
- Surface Protection System is for all ATEX zone (0, 1 and 2).

The best performances allowed by the new regulation

- Max distance from the potential ignition is 50 pipe's diameter.
- Max operational pressure (relative) is 0,1 bar.



Gas & Vapor compatibility

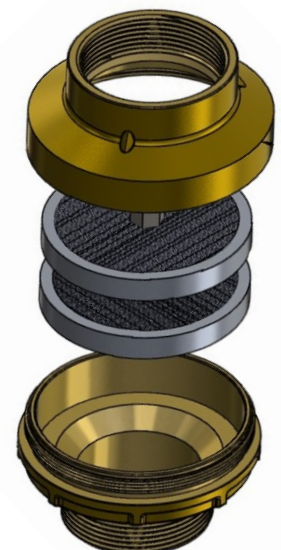
Inflammable gases and vapours classification is necessary to correct use of flame arrester.

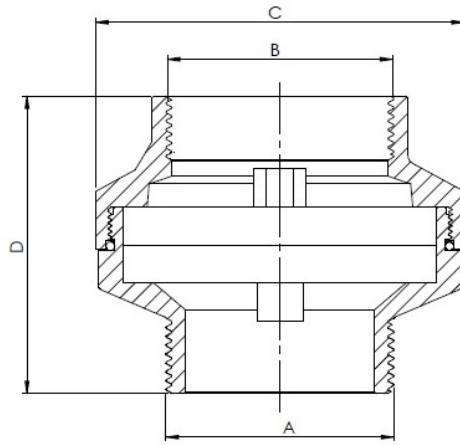
UE-Type Examination Certificate EPT 18 ATEX 3053 X is for Explosion Group "IIB3" tested with Ethylene and compatible for all gas with MESG > 0.65 mm for example: Ammonia, Industrial methane, Blast-furnace gas, Carbon monoxide, Propane, Butane, Pentane, Ethane, Ethane, Iso-octane, Decane, Benzene, Xylene, Cyclohexane, Acetone, Ethyl-methyl-ketone, Methyl acetate, Ethyl acetate, Normal propyl acetate, Normal butyl acetate, Amyl acetate, Chloroethylene, Methanol, Ethanol, Iso Butanol, Normal Butanol, Amyl alcohol and Ethyl nitrite. Use only for gas or vapor with MESG > 0.65 mm.

Burning rating BC=b, $t_{BT}=1$ min. Max operational temperature 60°C.

Specification

PART	180 EN P	180 EN P PTFE
FEMALE BODY	BRASS	BRASS + PTFE COATED
RIBBON COIL & SUPPORT	STAINLESS STEEL & Aluminium	STAINLESS STEEL & Aluminium PTFE Coated
MALE BODY	BRASS	BRASS + PTFE COATED





CODE	086920 EN P	086910 EN P	086880 EN P
PTFE CODE	n.a	86910 ENP PTFE	n.a.
PROTECTED SIDE	BIDIRECTIONAL	FEMALE THREAD	FEMALE THREAD
THREAD A	1" F BSPP	2" M BSPP	4" M BSPP
THREAD B	1" F BSPP	2" F BSPP	4" F BSPP
DIAMETER C	65	95	185
HEIGHT D	68	78	90
TEST PRESSURE AIR FLOW 5000 l/min (35 mbar)	850	3100	> 5000

Chemical Suitability

- Standard model is for traditional fuel without additives.

ON REQUEST:

- "PTFE" coated model is for special fuel, non-aggressive solvents or chemical products.



181 EN P 2"
BRASS



181 EN P 2"
PTFE COATED

Installation

- In-line flame arrester is for vertical or horizontal installation.
- Protection System is unidirectional, the safety side is the FEMALE thread.
- For correct installation follow the Directives and product User Manual.
- For the installation of flame arresters it is necessary to strictly comply with the L/D ratio (pipe length/pipe diameter) and insure that the distance between potential ignition sources and the flame arrester does not exceed the max ratio of 50 L/D that corresponds to explosion group IIA and IIB3 (NEC groups D to C) according to EN ISO 16852.
- Explosion Group is "IIB3" in according with EN ISO 16852 (MESG > 0.65 mm).
- Contact our technical department for custom application or maintenance by email to:
quality@ridart.it.
- Product Certification, Declaration of Conformity and User Manuals are available on:
www.ridart.it/support.

Maintenance

- Always replace the product after fire or deflagration.
- In case of tampering warranty expires and safety protection is not guaranteed.



Scan the QR code
and select the appropriate
flame arrester