

197 EN P

Pressure Vacuum valve

with End Of Line Deflagration Flame Arrester



CE Ex G IIB3

Pressure Vacuum Valve with ribbon coil is a Protection System: deflagration end of line flame arrester according with Directive 2014/34/EU and harmonized standard EN ISO 16852:2016.

- Regulate hydrocarbons or chemical storage tank pressure
- Reduce evaporation for saving environment and product loss
- Stage I vapor recovery compliant
- The Flame Arrester protects tank from outside fire
- Surface Protection System is for all ATEX zone (0, 1 and 2)
- Vapor recovery of Truck system shall be connected for fill storage tank

End of line deflagration flame arresters and pressure valve are typically installed on storage tanks and vessels of the chemical, petrochemical, and pharmaceutical industries for protection.



Mod. 197 SM
Aluminium



Mod. 197 EN P
Aluminium



Mod. 197 EN P
PTFE



Mod. 197 EN P
Stainless Steel

Gas & Vapor Compatibility

Inflammable gases and vapours classification is necessary to correct use of flame arrester.

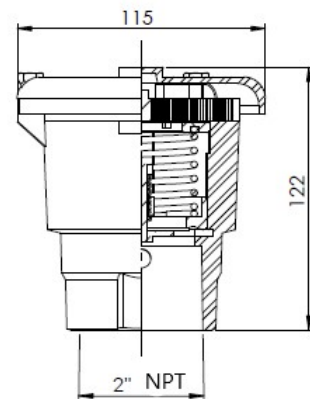
UE-Type Examination Certificate EPT 19 ATEX 3333 X is for Explosion Group "IIB3" tested with Ethylene and compatible for all gas with MESG ≥ 0.65 mm for example: Ammonia, Industrial methane, Blast-furnace gas, Carbon monoxide, Propane, Butane, Pentane, Ethane, Heptane, Iso-octane, Decane, Benzene, Xylene, Cyclohexane, Acetone, Ethyl-methyl-ketone, Methyl acetate, Ethyl acetate, Normal propyl acetate, Normal butyl acetate, Amyl acetate, Chloroethylene, Methanol, Ethanol, Iso Butanol, Normal Butanol, Amyl alcohol and Ethyl nitrite. Use only for gas or vapor with MESG ≥ 0.65 mm. Marked "IIC" for Hydrogen and gas/vapor with MESG < 0.5 mm 197 EN-P H2. Burning rating BC=b and $t_{BT}=1$ min and for "H2" model BC=c and $t_{BT}=0$ min. Max operational temperature 60°C.

Specification

PRODUCT	197 2" SM EN-P	197 2" EN-P	197 3" EN-P	197 4" EN-P	197 6" EN-P
ALUMINIUM CODE	197 SM-50	197 EN P-35	197FA-80-35	197FA-100-35	197FA-150-35
PFTF CODE	-	197 EN P-35PTFE	197FP-80-35	197FP-100-35	197FP-150-35
SS CODE	-	197 EN P-35 SS	197FS-80-35	197FS-100-35	197FS-150-35
THREAD	2" NPT FEMALE	2" NPT FEMALE	3" NPT FEMALE	4" NPT FEMALE	6" NPT FEMALE
PRESSURE mbar	35	35	35	35	35
TEST FLOW (Mbar 80 - Ø 72) l/min 9200	1500	1900	4600	4600	> 9000
VACUUM mbar	-10	-2.5	-2,5	-2,5	-2,5
TEST FLOW (Mbar 80 - Ø 72) l/min 9200	1200	1500	3700	3700	> 6000



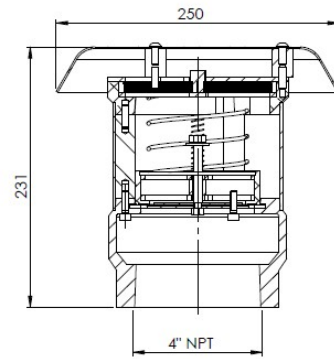
Mod. 197
EN P 2"



SIZE	2" ALUMINIUM EN P	2" PTFE EN P	2" SS EN P
SEALS	VITON®	PTFE	PTFE
POPPETS	BRASS	STAINLESS STEEL	STAINLESS STEEL
CAP	ALUMINIUM	AL + PTFE COATING	STAINLESS STEEL
SCREWS & BOLTS	STAINLESS STEEL	STAINLESS STEEL	STAINLESS STEEL
SPRINGS	STAINLESS STEEL	STAINLESS STEEL	STAINLESS STEEL
RIBBON COIL	STAINLESS STEEL	STAINLESS STEEL	STAINLESS STEEL
BODY	ALUMINIUM	AL + PTFE COATING	STAINLESS STEEL
SUPPORT	STAINLESS STEEL	STAINLESS STEEL	STAINLESS STEEL



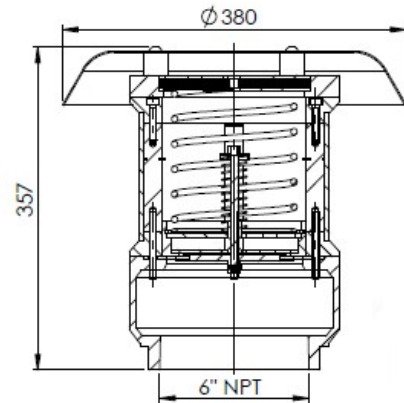
Mod. 197
EN P 3" - 4"



SIZE	3" - 4" ALUMINIUM EN P	3" - 4" PTFE EN P	3" - 4" SS EN P
SEALS	PTFE	PTFE	PTFE
CAP	PAINTED CARB.STEEL	STAINLESS STEEL	STAINLESS STEEL
SCREWS & BOLTS	STAINLESS STEEL	STAINLESS STEEL	STAINLESS STEEL
SPRINGS	STAINLESS STEEL	STAINLESS STEEL	STAINLESS STEEL
RIBBON COIL	STAINLESS STEEL	STAINLESS STEEL	STAINLESS STEEL
POPPETS	ALUMINIUM	AL + PTFE COATING	STAINLESS STEEL
BODY	ALUMINIUM	AL + PTFE COATING	STAINLESS STEEL
SUPPORT	STAINLESS STEEL	STAINLESS STEEL	STAINLESS STEEL



Mod. 197
EN P 6"



SIZE	6" ALUMINIUM EN P	6" PTFE EN P	6" SS EN P
SEALS	PTFE	PTFE	PTFE
CAP	PAINTED CARB.STEEL	STAINLESS STEEL	STAINLESS STEEL
SCREWS & BOLTS	STAINLESS STEEL	STAINLESS STEEL	STAINLESS STEEL
SPRINGS	STAINLESS STEEL	STAINLESS STEEL	STAINLESS STEEL
RIBBON COIL	STAINLESS STEEL	STAINLESS STEEL	STAINLESS STEEL
POPPETS	ALUMINIUM	AL + PTFE COATING	STAINLESS STEEL
BODY	ALUMINIUM	AL + PTFE COATING	STAINLESS STEEL
SUPPORT	STAINLESS STEEL	STAINLESS STEEL	STAINLESS STEEL

Chemical Suitability

- Aluminium standard model is for traditional fuel without additives.
- "PTFE" coated model is for special fuel, non-aggressive solvents or chemical products.
- "SS" model (Stainless Steel) is for aggressive solvents, acids or bases.

ON REQUEST:

- "H2" model is for Hydrogen (Contact our technical department: quality@ridart.it)

Installation

- Vent valve is only for vertical installation at the end of vapor pipeline.
- All Models are NPT Threaded female
- For 1"1/2 pipeline 197 - 50 + adaptor 2"x1"1/2
- For 5" pipeline 197-150 + adaptor 6"x5"
- 3" → 197 EN-P 4" REDUCTED TO 3"
- For correct installation follow the Directives and product User Manual.
- Explosion Group is "IIB3" in according with EN ISO 16852 (MESG ≥ 0.65 mm).
- Explosion Group is "IIC" in according with EN ISO 16852 (MESG < 0.5 mm), Hydrogen suitability.
- Contact our technical department for custom application or maintenance by email to:

quality@ridart.it.

- Product Certification, Declaration of Conformity and User Manuals are available on:

www.ridart.it/support.

Maintenance

- Periodically check the device is necessary to remove possible dirty.
- Always replace the product after fire or deflagration.
- In case of tampering warranty expires and safety protection is not guaranteed.