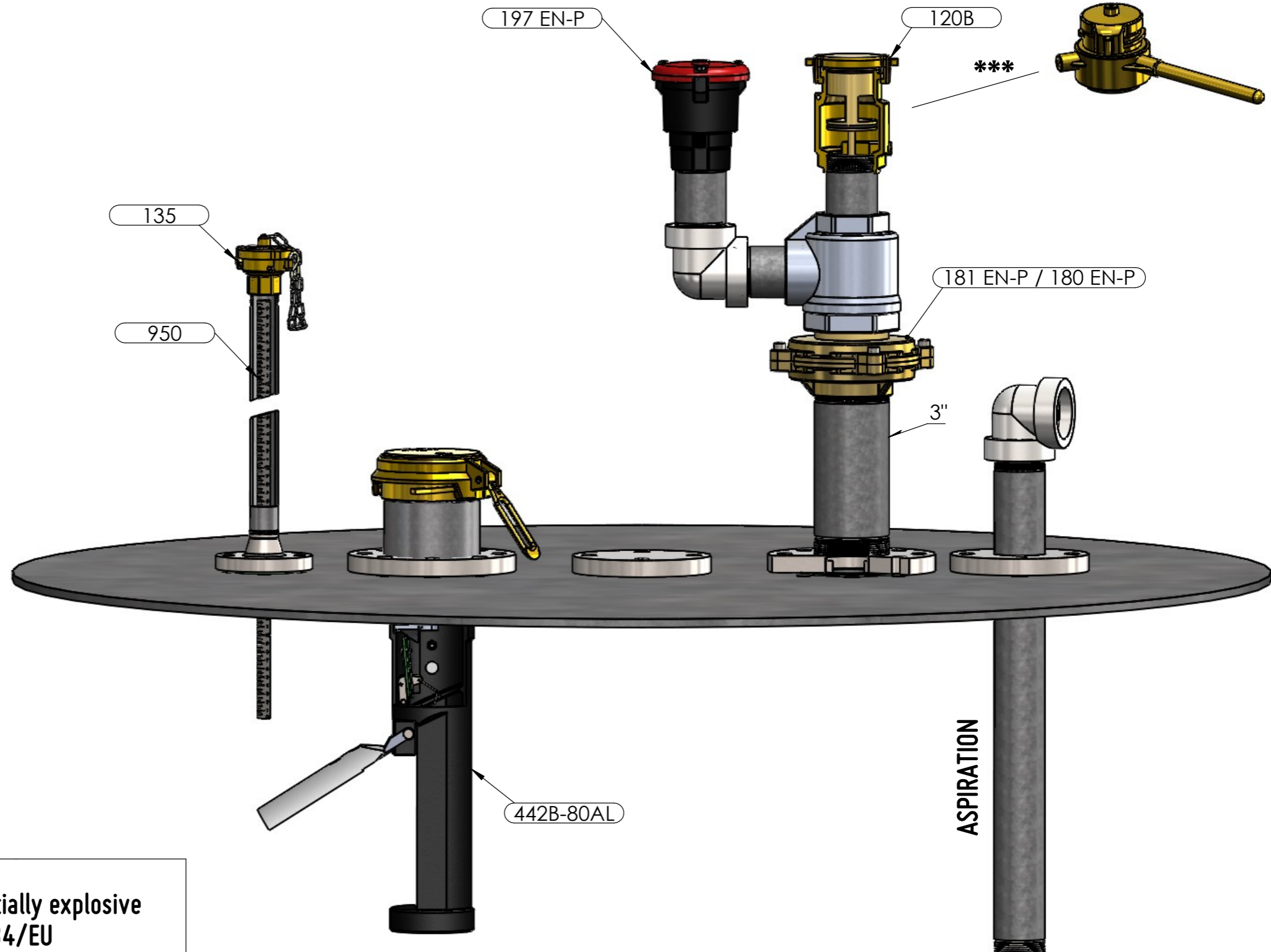




DIESEL MANHOLE

*** INTERCHANGEABLE



COD.	DESCRIPTION
181 EN-P	IN-LINE DEFLAGRATION FLAME ARRESTER
120B	VAPOR RECOVERY
197 EN-P	PRESSURE VACUUM/VENT
442B-80AL	OVERFILL PREVENTION VALVE
135	DIP STICKS HOUSING
950	DIP STICKS

Protection System intended for use in potentially explosive atmospheres Directive ATEX 2014/34/EU			
TYPE	NORMS	PRODUCTS	MARKING
OVERFILL VALVES	UNI EN 13616-1:2016 UNI EN 13616-2:2016	442B-80AL / 442-80AL	Ex II 1G2B
IN-LINE DEFLAGRATION FLAME ARRESTORS	HARMONIZED STANDARD EN ISO 16852:2016	181 EN-P / 1010 ENP	Ex G IIB3
END OF-LINE DEFLAGRATION FLAME ARRESTORS	HARMONIZED STANDARD EN ISO 16852:2016	197 EN-P	Ex G IIB3 / Ex G IIC (HYDROGEN)