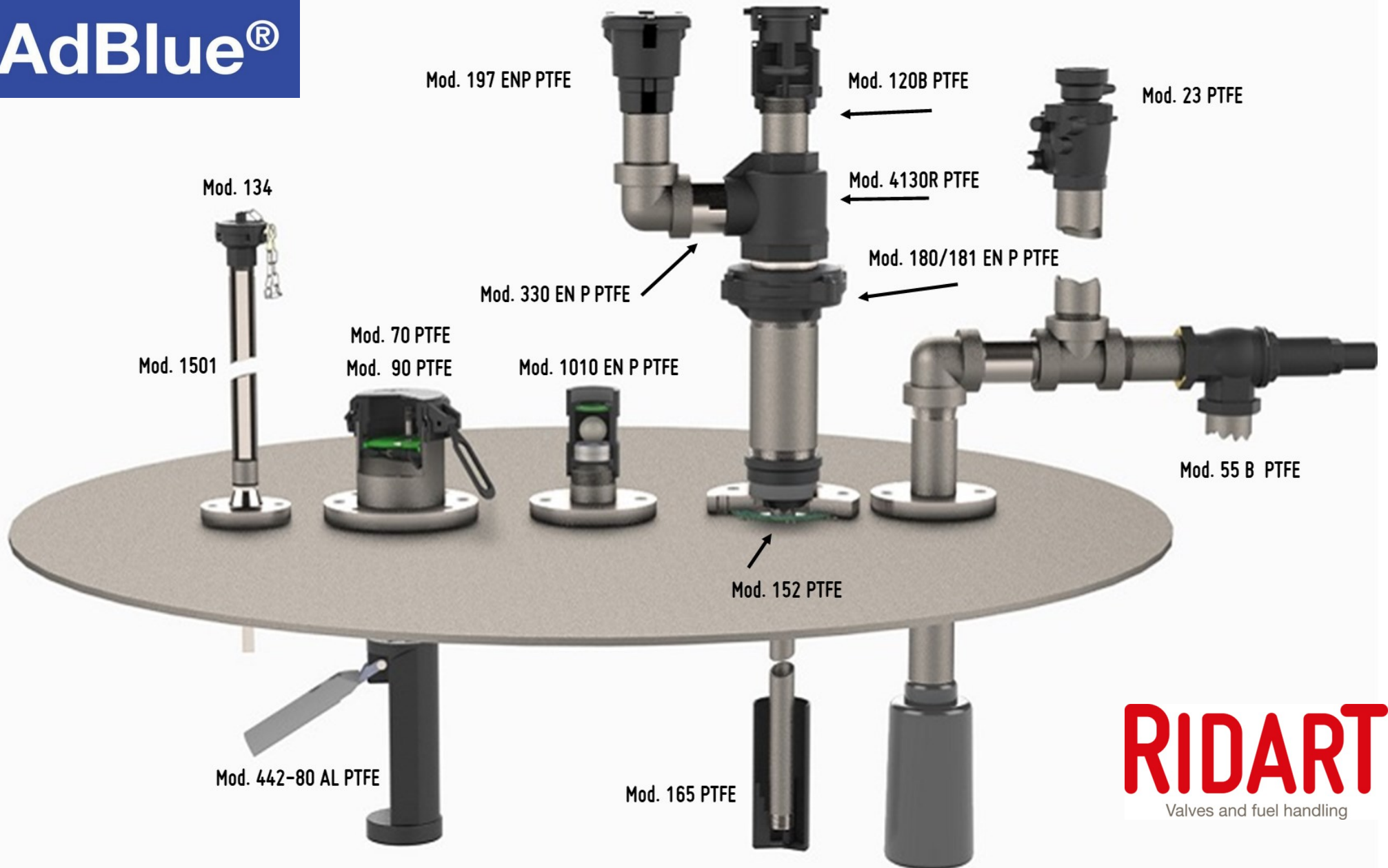


FOR USE WITH SPECIAL FUEL WITH ADDITIVES AND CHEMICALS

PTFE COATED or INOX

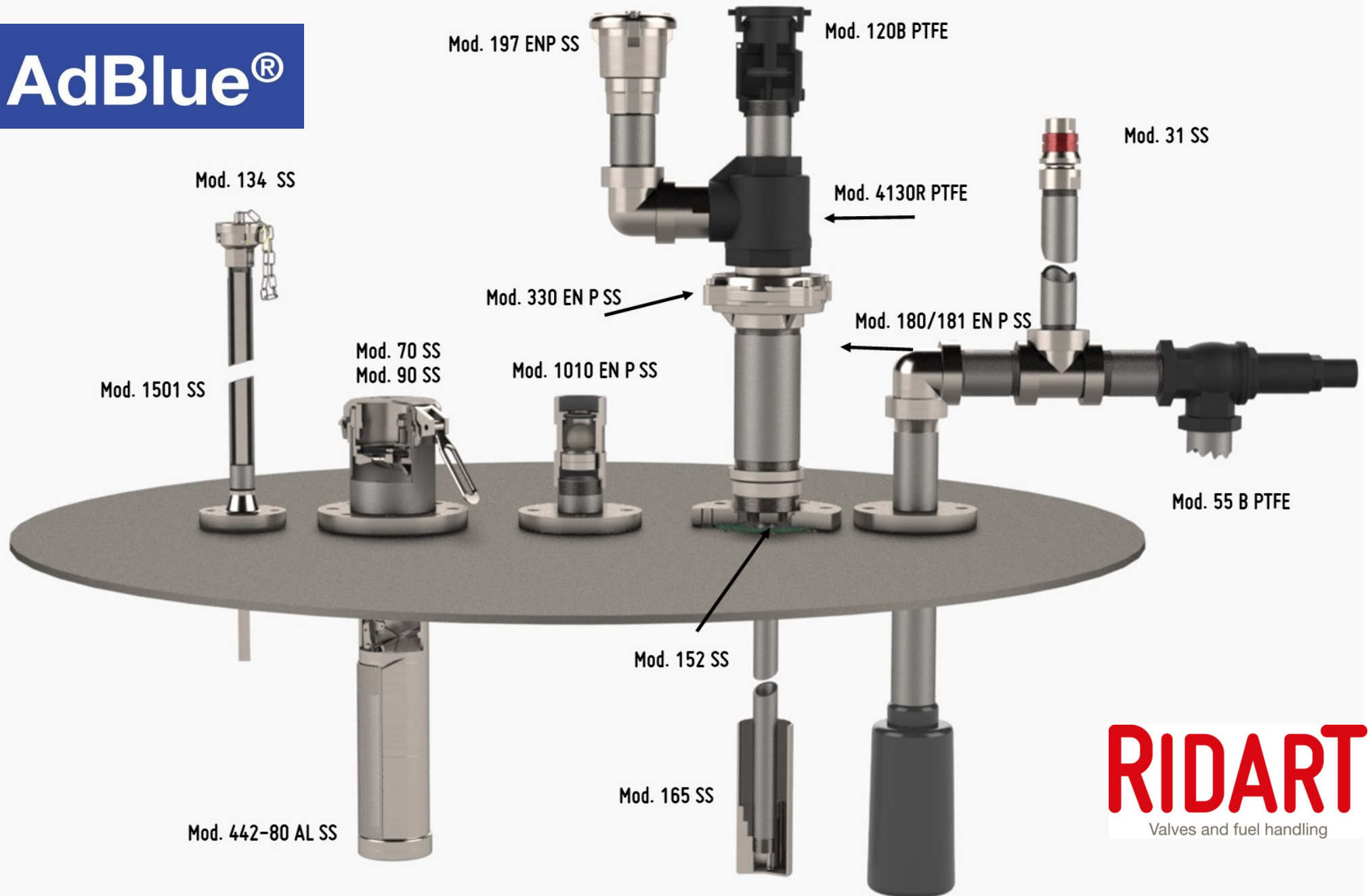
AdBlue®



RIDART
Valves and fuel handling

FOR USE WITH ACID SOLVENTS AND STRONG BASES INOX or PTFE COATED

AdBlue®



RIDART
Valves and fuel handling