



Flanged Gate Valve

Mod. 431-00, 431-01 & 431-02



APPLICATION

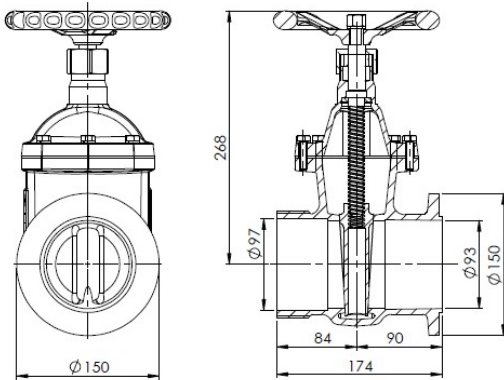
Flanged gate cast iron valve with cassoni connection.

COMPATIBILITY

New model in cast iron compatible also with bitumen.

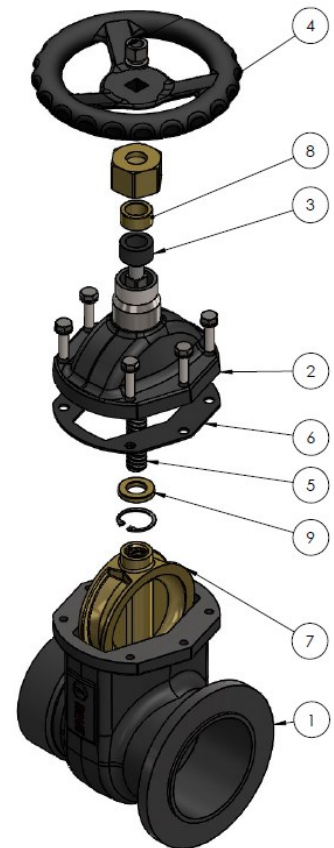


CE Ex G IIB3



CODE	HOLES	CENTER LINE	MAX TEMPERATURE
431-00	6 HOLES	128 mm	400°
431-01	8 HOLES	130 mm	400°
431-02	NO HOLES	-	400°

POS.	CODE	Q.TY	DESCRIPTION	MATERIAL
1	431-00,01,02	1	BODY VALVE	CAST IRON
2	431-09-01	1	BONNET	CAST IRON
3	431-04 1	1	STEM GASKET	PTFE + CARBON
4	4 431-07	1	HANDWHEEL	CARBON STEEL
5	5 431-08	1	STEM	AISI 316
6	6 431-10 1	1	BODY SEAL	PTFE+ CARBON
7	7 431-11-01 1	1	GATE	BRASS
8	8 431-12	1	SPACER RING	BRASS
9	9 431-13-1	1	RING	BRASS



INSTALLATION

- Easy installation, for the correct execution refer to the Directives and the User Manual.
- Contact our technical department for custom application or maintenance by email to: quality@ridart.it
- Product Certification, Declaration of Conformity and User Manual are available on: www.ridart.it/support

MAINTENANCE

- Spare parts are available (valve body excluded) .
- Always replace the product after fire or deflagration.
- In case of tampering warranty expires and safety protection is not guaranteed.