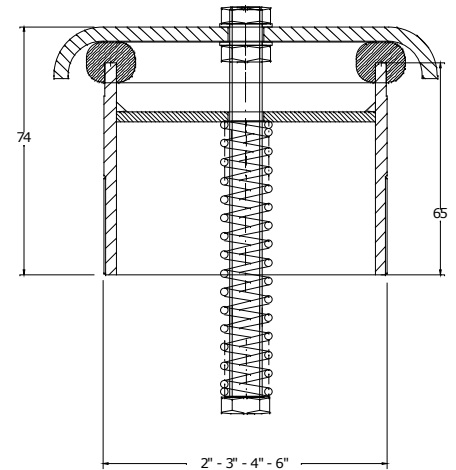


Emergency Vent

Mod. 193



II 2 G



APPLICATION

Male threaded emergency vent is normally used to protect the aboveground storage tank from overpressure.

It even helps to reduce the evaporation of fuel and environmental pollution.

CHARACTERISTICS

Housing	Steel
Cap material	Aluminium
Thread	BSP ISO 228-1
Spring	Stainless steel
Gasket	Viton
Pressure relief	Standard 50 mbar

DIMENSIONS

Article No.	DN 1
193 - 50	2" BSP Male
193 - 80	3" BSP Male
193 - 100	4" BSP Male
193 - 150	6" BSP Male